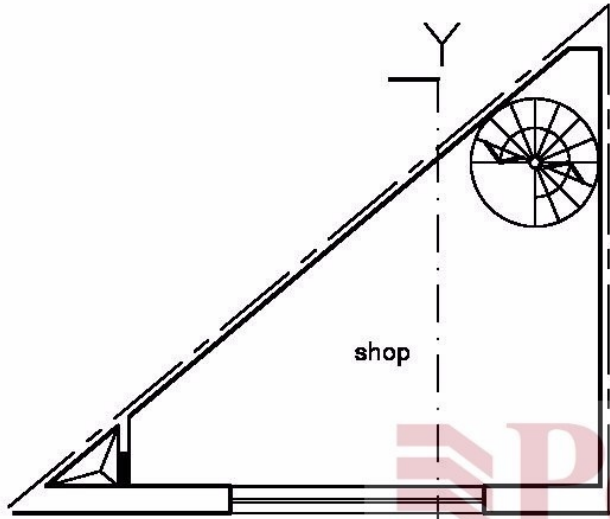
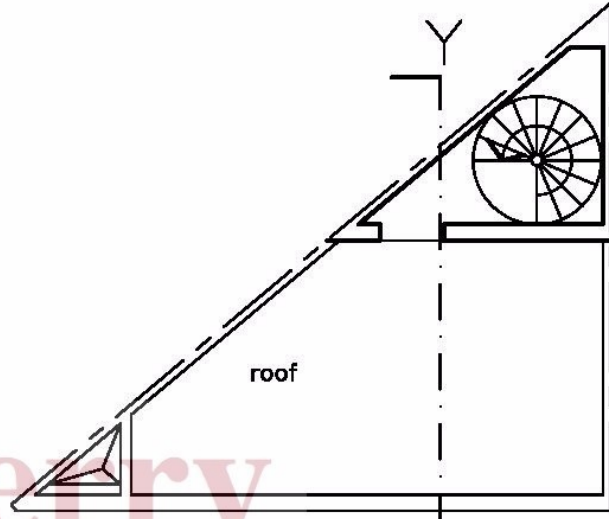


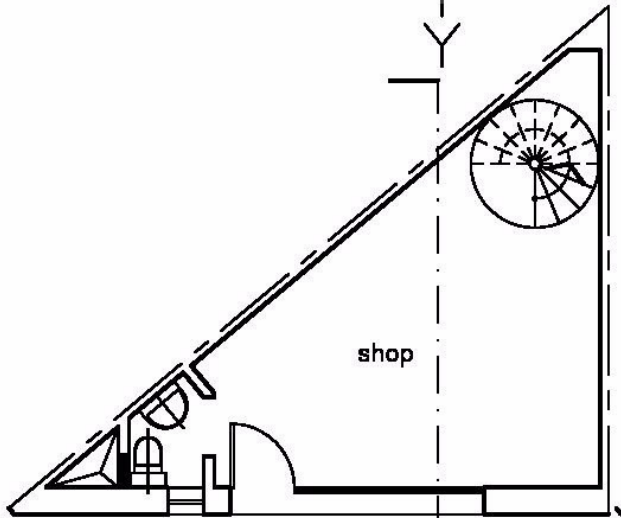
CA500022
OF500109



Existing First Floor



Existing Roof Plan



Existing Ground Floor