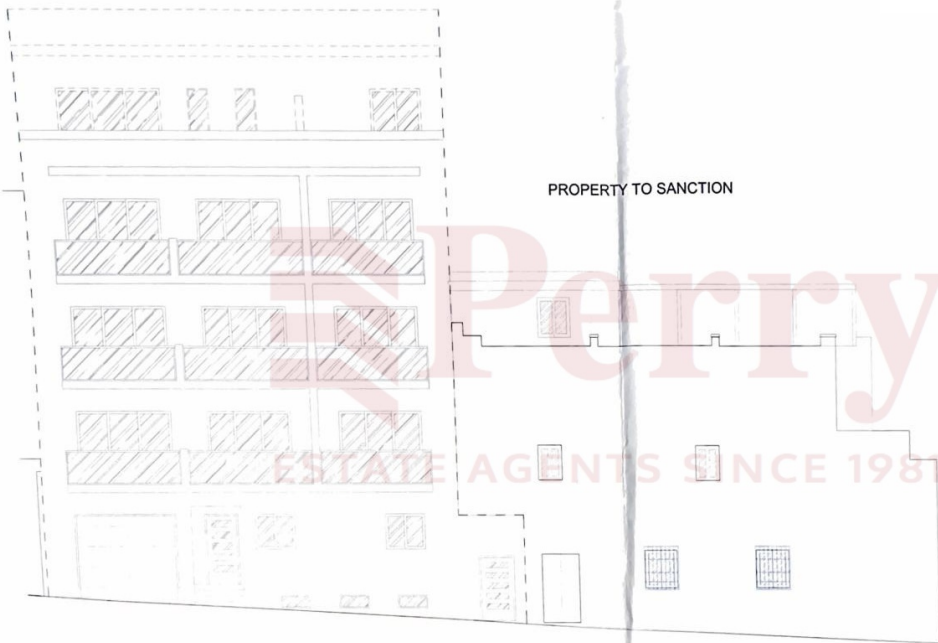


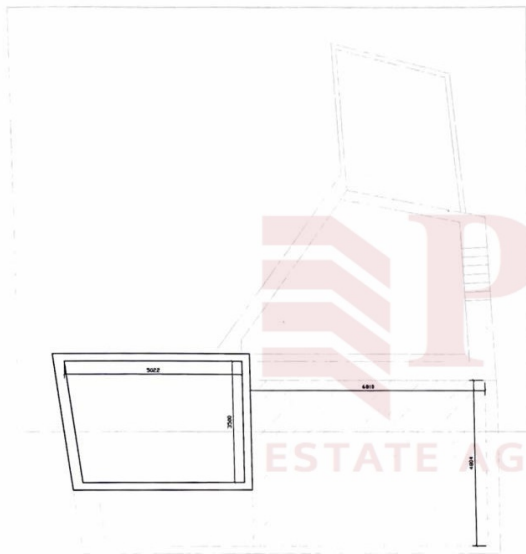
APPROVED NEW ELEVATION
(Third party property)



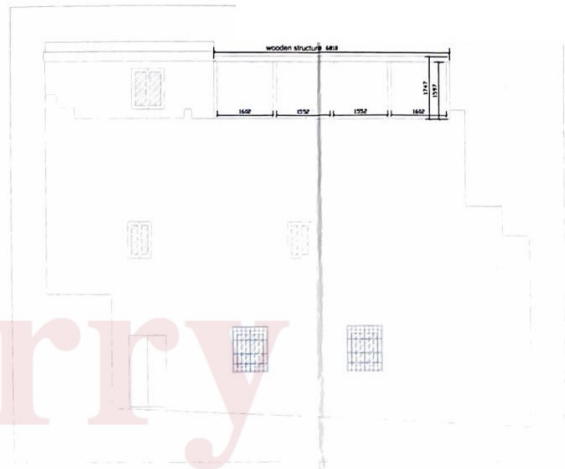
A STREET SCAPE
DWG 220120-001 004A
SCALE 1: 100

0 1 2 3 4 5m
Scale 1: 100

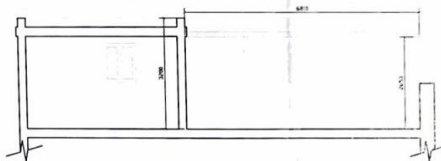
Processed using the free version of Watermarkly. The paid version does not add this mark.



A EXISTING & PROPOSED TOP ROOF FLOOR
 DWG 220120-001 003A
 SCALE 1: 100

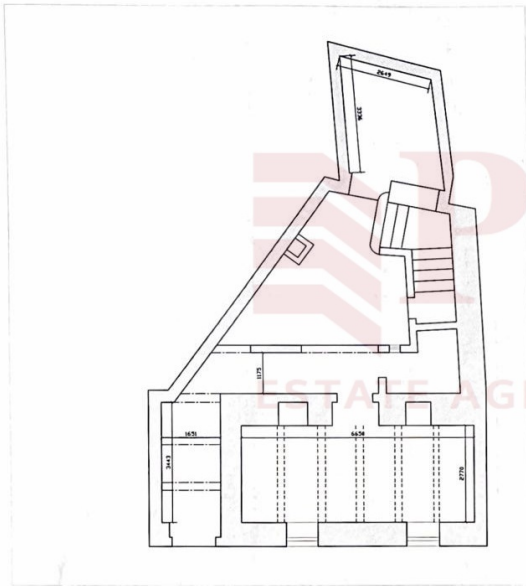


B EXISTING & PROPOSED ELEVATION
 DWG 220120-001 003B
 SCALE 1: 100

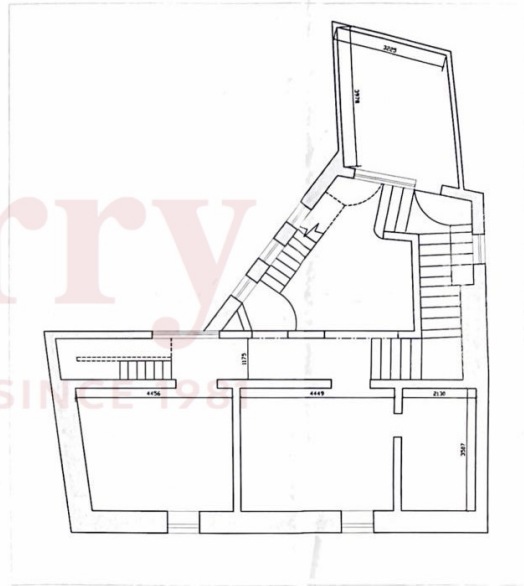


C EXISTING & PROPOSED ROOF SECTION
 DWG 220120-001 003C
 SCALE 1: 100

Processed using the free version of Watermarkly. The paid version does not add this mark.



A EXISTING GROUND FLOOR
 DWG 220120-001 002A
 SCALE 1: 100

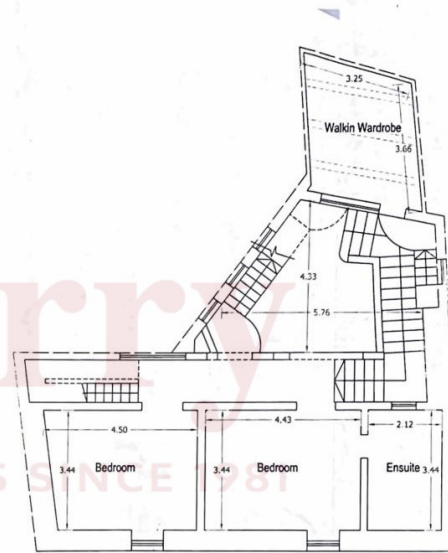
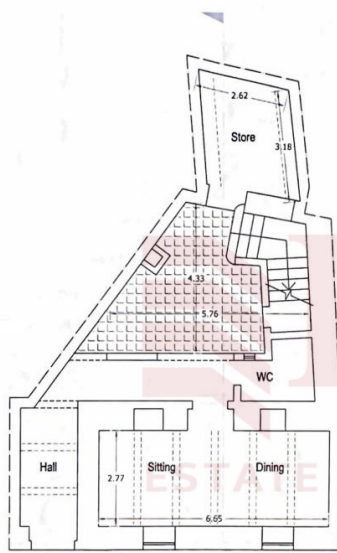


B EXISTING FIRST FLOOR
 DWG 220120-001 002B
 SCALE 1: 100



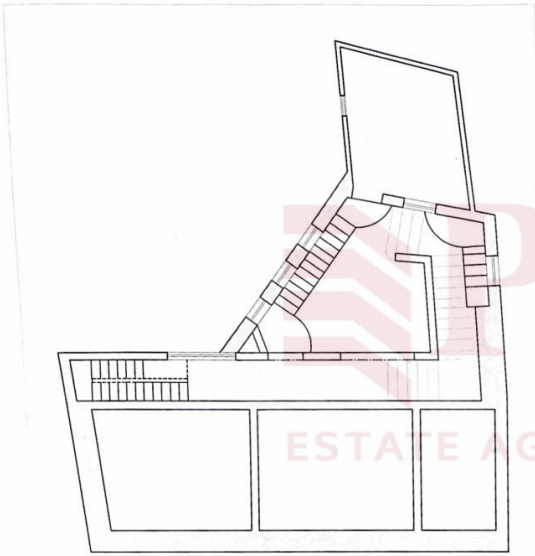
Processed using the free version of Watermarkly. The paid version does not add this mark.

Project: Proposed skylight over internal courtyard
drawing: Ground & Lower First Floor Plans

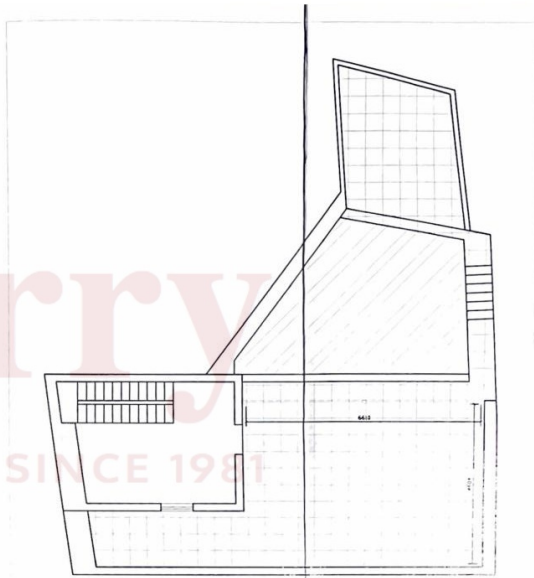


1m 0 1m 2m 3m 4m 5m 6m 7m 8m 9m 10m
Scale 1:100

Processed using the free version of Watermarkly. The paid version does not add this mark.



A EXISTING HIGHER FIRST FLOOR
DWG 220120-001 002A
SCALE 1: 100

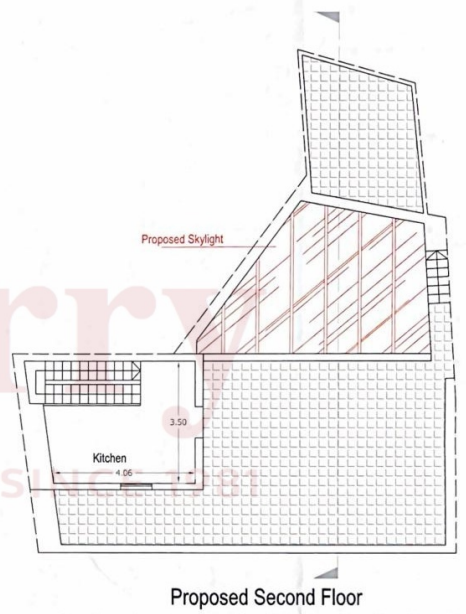
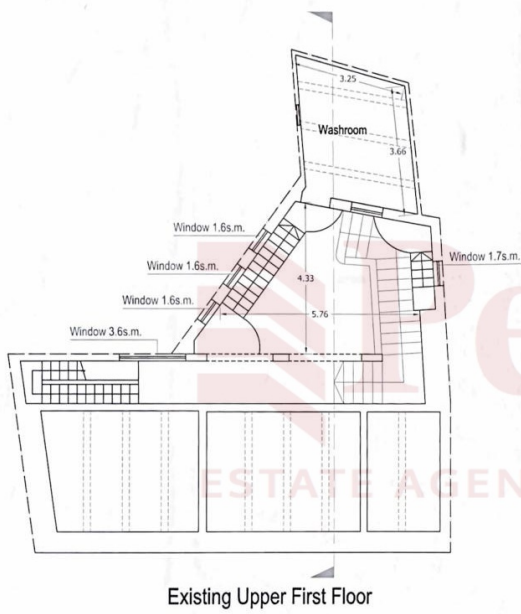


B EXISTING & PROPOSED ROOF FLOOR
DWG 220120-001 002B
SCALE 1: 100



Processed using the free version of Watermarkly. The paid version does not add this mark.

project
drawing
Proposed skylight over internal courtyard
Upper First Floor & Second Floor Plans



1m 0 1m 2m 3m 4m 5m 6m 7m 8m 9m 10m
Scale 1:100



A PROPOSED DEMOLITION ELEVATION
DWG 220120-001 006A
SCALE 1:100

Processed using the free version of Watermarkly. The paid version does not add this mark.

